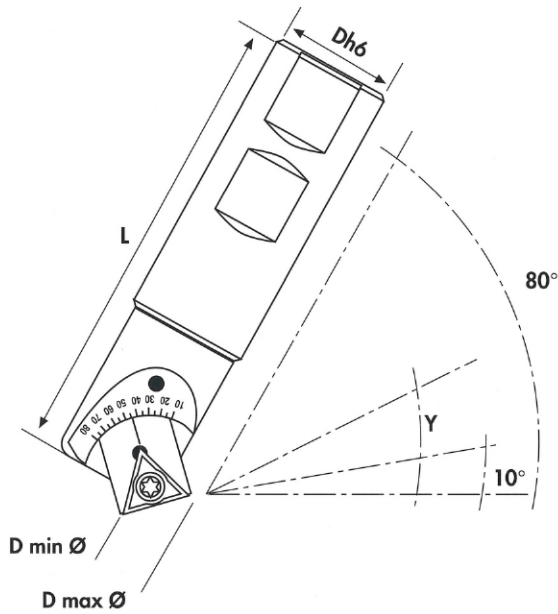


NIKO - Fleximill




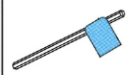
Countersink & chamfering tool 10° to 80°

NEW

NOW EACH TOOL COMES WITH TWO POCKETS FOR SQUARE & TRIANGLE INSERTS



Triangle pocket

Designation	D h6	L	Y	D. min.	D. max.				
340W-1.000 / 330W-.750	1.000" / .750"	4.000"	10°	.195"	1.248"	S 16	TCMT 32...	VT 40	T 15
			20°	.234"	1.287"				
			30°	.273"	1.326"				
			40°	.390"	1.287"				
			45°	.429"	1.287"				
			50°	.507"	1.248"				
			60°	.624"	1.209"				
			70°	.741"	1.131"				
80°	.897"	1.053"							

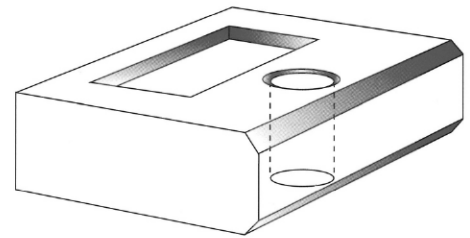
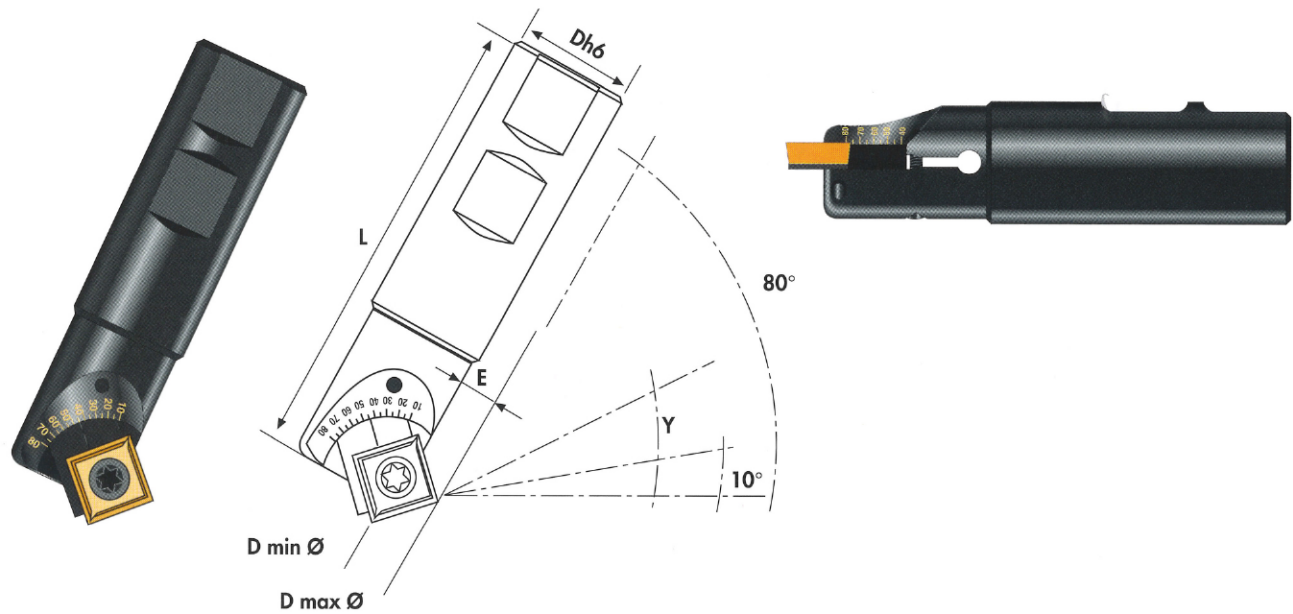
NIKO TRADE LTD.USA.INC.

271 Route 46 West, D107
 Fairfield, NJ 07004
 (973) 575-4353 • Fax (973) 575-4350
 www.niko-nikcole.com




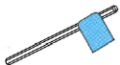
©Copyright 1996 Niko, Inc. 5m/3/30/96

Distributed By:





Square pocket

Designation	D h6	L	Y	D. min. Ø	D. max. Ø	E				
340W-1.000 / 330W-.750	1.000" / .750"	4.000"	10°	.292"	1.170"	.105"	S 12	SCMT 42...	VT 50	T 20
			20°	.390"	1.248"	.140"				
			30°	.570"	1.267"	.167"				
			40°	.643"	1.306"	.175"				
			45°	.682"	1.306"	.179"				
			50°	.741"	1.306"	.179"				
			60°	.858"	1.306"	.168"				
			70°	.955"	1.306"	.148"				
80°	1.053"	1.209"	.117"							